

# Exploded views meat slicer:

## 800SL

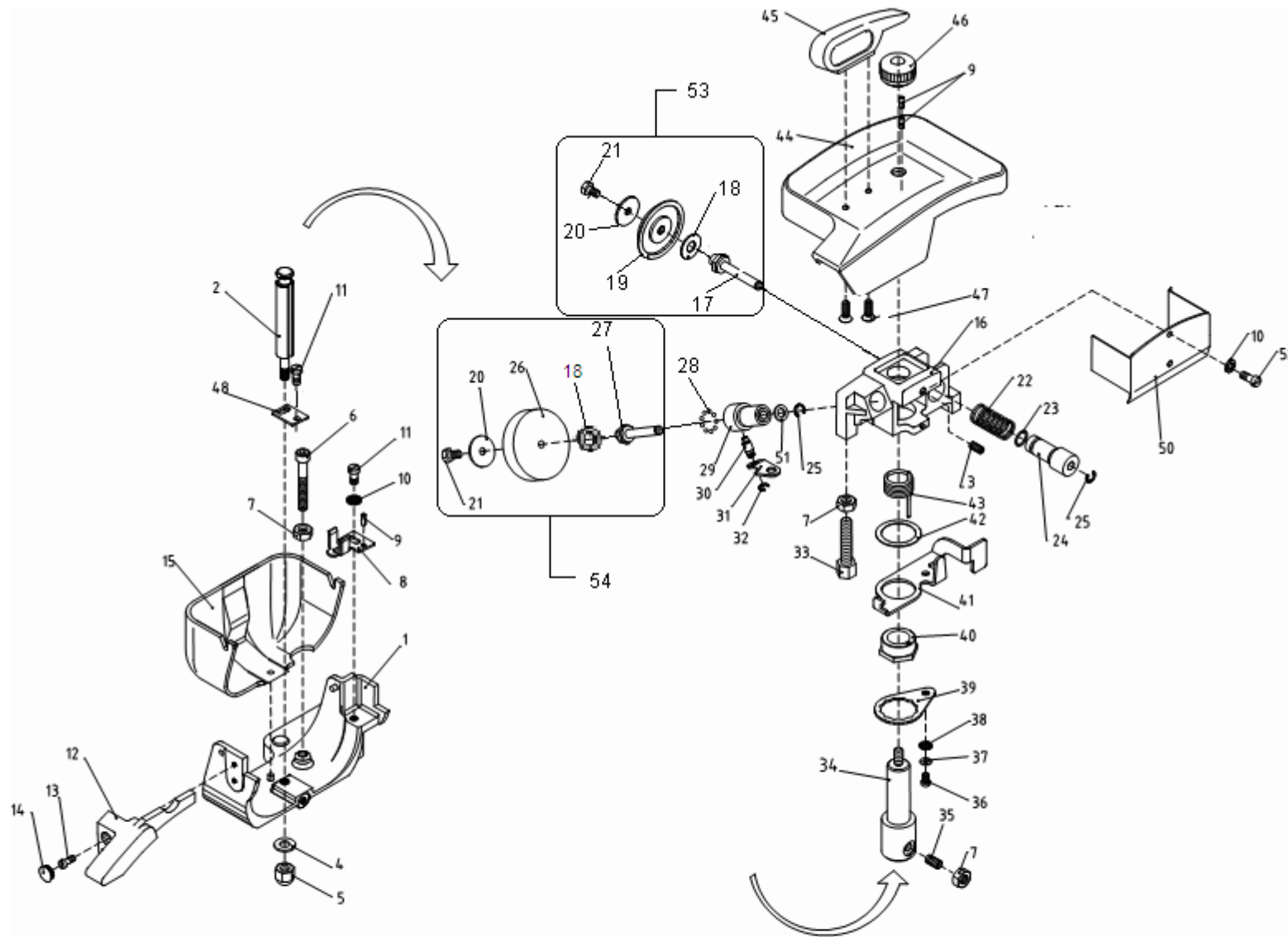


DEKO Holland  
Simon Stevinweg 19  
6827 BS Arnhem  
The Netherlands

June 2024



<b>Part no.</b>	<b>Description</b>
2601-1107/ 2601-1108/ 2601-1115	Switch 230 Volt / Switch 400 Volt / Switch 115 Volt
3333-5115	Screw knife remover
3333-5116	Centre nut
3333-5122	Special bolt
3333-5200	Torsion spring
3333-5201	Axle sharpener
3333-5202	Tension nut
3333-5203	Sleeve sharpener group
3335-5205	Sharpening stone bearing
3333-5207	bushing sharpener stone bearing
3333-5209	spring deburring stone
3333-5215	Extension piece
3433-5003	Bearing ring
3433-5075	Spacer 0.5 mm
3433-5100	Operating lever
3433-5101	Fastening fork
3433-5102	Connecting plate
3433-5106	Washer sharpener
3533-5002	Adjusting plate frame
3633-5000	Internal gear
3633-5001	Satelite gear
3633-5002	Sun wheel
3633-5024 / 3633-5023	Knife / Knife USA (stainless steel)
3801-3139	Stopper
3801-3357	Safety guard
3801-3367	Sharpener bottom
3833-5004	Labyrinth
3833-5010	Index disc
3833-5020	Special nut (knifebox)
3833-5041	Carter cover (knifebox)
3833-5053	Deflector
4101-3380/ 4101-3879/ 4101-3920	Signal lamp 230V/ Signal lamp 400V/ Signal lamp 115V
4301-3762	Knife guard
4333-5056	Knife centre plate
4333-5075	Sharpener stone assy
4333-5076	Deburring stone assy
4501-3055	Knife shaft
4533-0004	Rubber foot
4533-5022	Knife remover
4533-5024	Knife centre plate knob



SHARPENER  
4901-4000-04



Id.	Part nr.	Qty.	Description	from serialno:	Id.	Part nr.	Qty.	Description	from serialno:
1	4501-3052	1	frame sharpener	503129	30	3333-5208	1	drive shaft	503129
2	3333-5201	1	axle	503129	31	3433-5102	1	connecting plate	503129
3	2101-3174	2	M5 x 10 DIN 916, RVS-A2	503129	32	2201-4841	1	4 DIN 6799, RVS	503129
4	2101-8018	1	B6,4 DIN 125, RVS-A2	503129	33	3333-5210	1	screw sharpener	503129
5	2101-7402	1	M6 DIN 1587, RVS-A2	503129	34	3333-5203	1	sleeve sharpener group	503129
6	2133-0323	1	screw M6 x 40 RVS	503129	35	2133-0369	1	screw M6 x 12, RVS	503129
7	2101-7017	3	M6 DIN 934, RVS-A2	503129	36	2101-2108	1	M4 x 6 DIN85 RVS A2	503129
8	3433-5101	1	fastening fork	503129	37	2101-8054	1	4,3 DIN 125, RVS-A2	503129
9	2201-3023	3	3 x 10 DIN 1474, RVS	503129	38	2101-9103	1	A4,3 DIN6798 A3A	503129
10	2133-0338	2	M5 DIN6798A A4 RVS	503129	39	3433-5104	1	tension key	503129
11	2101-2051	1	M5 x 8 DIN 84, RVS-A2	503129	40	3333-5202	1	tension nut	503129
12	3701-3459	1	knife guard, short	503129	41	3433-5100	1	operating lever	503129
13	2101-2080	2	M4 x 8 DIN 85, RVS	503129	42	3433-5141	1	friction ring	503129
14	2201-9065	1	lid black	506800	43	3333-5200	1	torsion spring	503129
15	3801-3367	1	sharpener bottom	503129	44	3701-3461	1	sharpener cover	503129
16	3733-5100	1	sharpener frame	503129	45	4301-3403	1	grip	506130
17	3333-5206	1	stone spindle	503129	46	3301-4246	1	knurled knob	506800
18	3433-5106	2	washer	506932	47	2101-4040	2	M4x10 DIN963 RVS A2	503129
19	3633-5021	1	inside stone	503129	48	3401-4482	1	clamp plate	503129
20	3433-5107	2	friction ring	503129	--				
21	2101-1151	2	M5 x 8 DIN 933, RVS-A2	503129	50	3801-3416	1	safety clamp	506932
22	3333-5209	1	spring	503129	51	3301-3812	1	special washer Ø 6	509889
23	2233-0103	1	rubber ring 8 x 2	503129	52	2101-2084	1	M5x6 DIN85 RVS A2	510690
24	3333-5207	1	inside bearing	503129					
25	2201-4805	2	5 DIN 6799 A3A	503129	53	4333-5075	1	deburring stone with shaft	
26	3633-5020	1	sharpening stone	503129	54	4333-5076	1	sharpner stone with shaft	
27	3333-5204	1	sharpening stone spindle	503129					
28	2301-7020	9	ball 1/8"	503129					
29	3333-5205	1	sharpening stone bearing	503129					

**dated:**  
June 2010

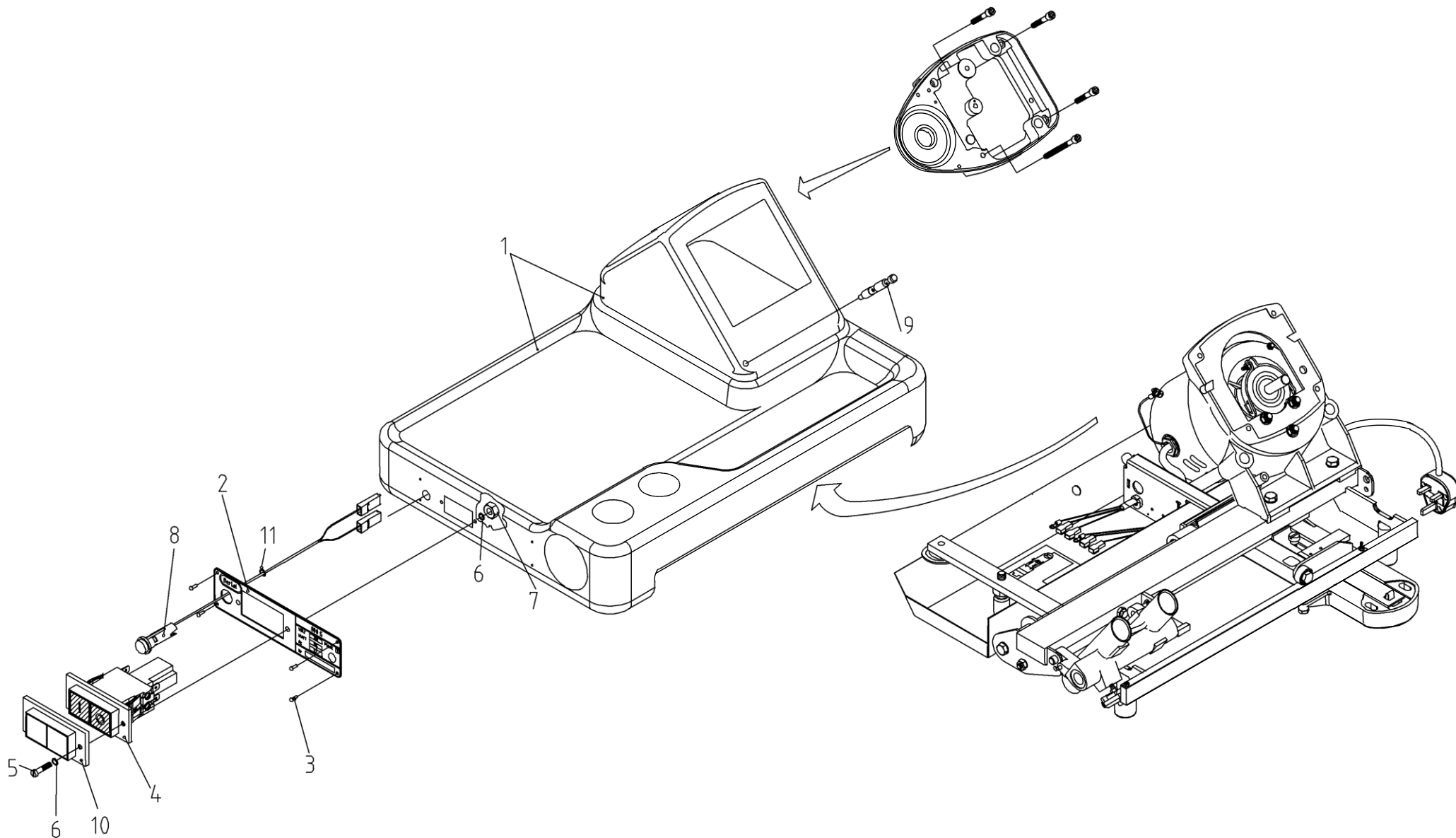
**Verbas BV - DEKO Holland bv.**

**exploded view nr:**  
4901-4000-04

**execution:**  
800S

**assembly name:**  
Sharpener

**A**

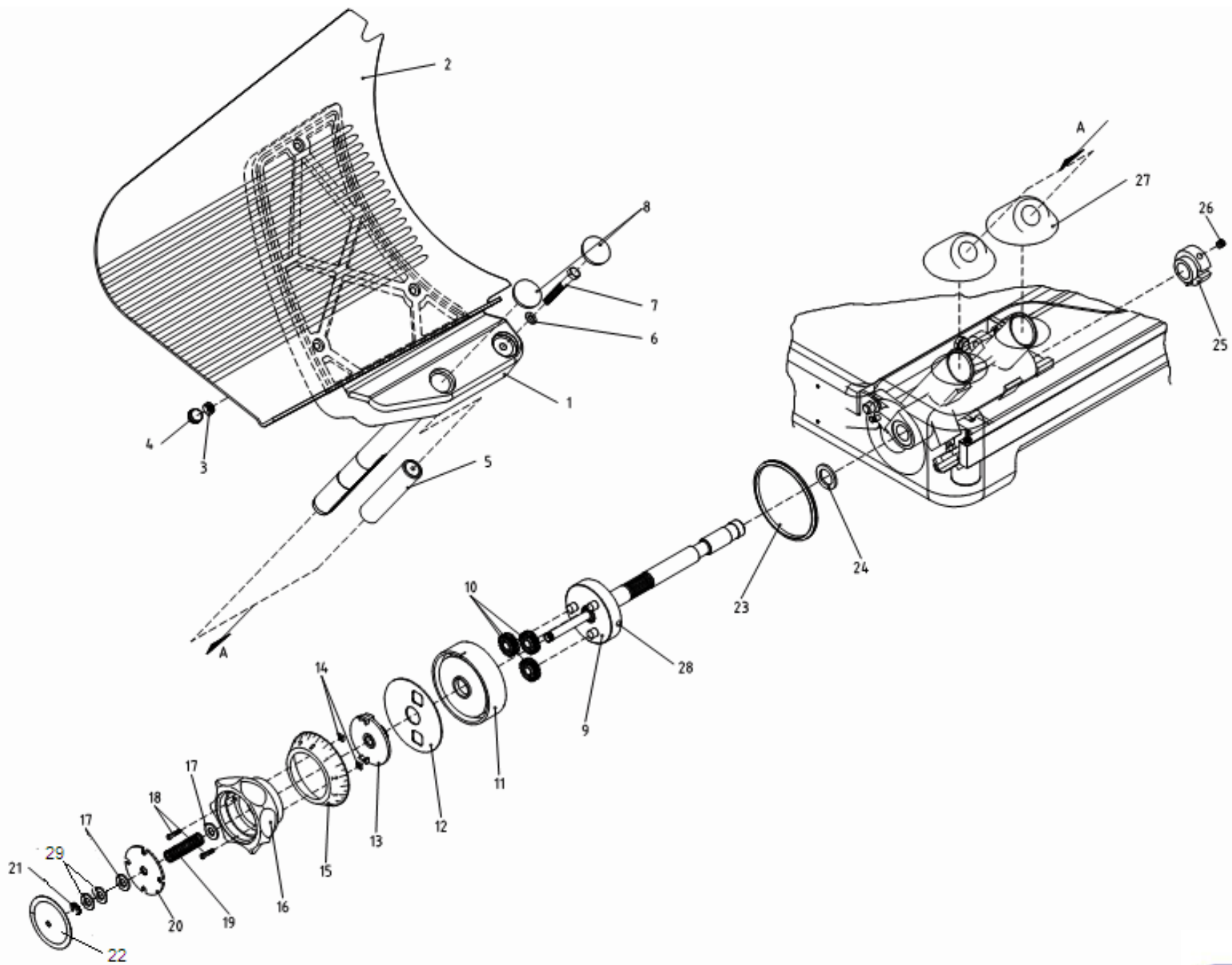


COVER  
4901-4001-08



Id.	Part nr.	Qty.	Description	from serialno
1	4433-5000	1	cover with motor cover complete	505872
2	3101-4016	1	identity plate 230V	504262
	3101-4018	1	identity plate 400V	504051
3	2133-0346	4	rivet	503129
4	2601-1107	1	switch 230 Volt ETA	505888
	<b>2601-1108</b>	<b>1</b>	<b>switch 400 Volt</b>	504051
5	2101-0050	2	3.9x13 DIN7971 RVS A2	503129
	<b>2101-2097</b>	<b>2</b>	<b>screw M3x16 DIN85 RVS A2 using only with 2601-1108 switch 400V</b>	504051
6	<b>2101-8005</b>	<b>4</b>	<b>washer 3,2 DIN125 A3A using only with 2601-1108 switch 400V</b>	504051
7	<b>2101-7045</b>	<b>2</b>	<b>nut M3 DIN934 RVS A2 using only with 2601-1108 switch 400V</b>	504051
8	4101-3880	1	signal lamp 230 Volt (white)	503129
	4101-3879	1	signal lamp 400 Volt (white)	504051
9	3333-5101	1	deflector shaft	503129
10	3601-3012	1	rubber protection hood for on/off switch 230 Volt	508633
	3601-3013	1	rubber protection hood for on/off switch 400 Volt	633972

dated: june 2010	exploded view nr: 4901-4001-08	execution: 800S	assembly name: Cover	<b>B</b>
Verbas BV - DEKO Holland bv.				



INDEX  
 4901-4002-02



Id.	Part nr.	Qty.	Description	from serialno:	Id.	Part nr.	Qty.	Description	from serialno:
1	4301-3793	1	support on gauge plate	503129	28	2101-3253	1	M5x12 DIN916 RVS A2	503129
2	4401-3361	1	thickness plate	503129	29	R-0070	2	Washer	
	3401-4553	1	thickness plate USA	508234					
3	2101-7068	3	M5 DIN934, RVS A2	503129					
4	3801-3298	3	cap	503129					
5	3333-5005	1	guide pin	503129					
6	2101-8018	1	B6,4 DIN125, RVS A2	503129					
7	2101-1020	1	M6 x 40 DIN933 5.6 A3A	503129					
8	3833-5005	2	closing hood	503129					
9	4333-5001	1	index shaft	503129					
10	3633-5001	3	satelite gear	503129					
11	3633-5000	1	internal gear	503129					
12	3433-5002	1	slipping wheel	503129					
13	3633-5002	1	sun wheel	503129					
14	2133-0281	2	flat square	503129					
15	3833-5010	1	index disc	503129					
16	3833-5000	1	index knob	503129					
17	2101-8020	2	8,4 DIN125, RVS A2	503129					
18	2101-2079	2	M3 x 12 DIN85, RVS A2	503129					
19	3333-5025	1	spring	503129					
20	3433-5003	1	bearing ring	503129					
21	2201-4822	1	6 DIN6799 A3A	503129					
22	3833-5001	1	lid index knob	503129					
23	3833-5008	1	grommet index knob	503129					
24	3433-5053	1	filling washer console	503129					
25	4301-3763	1	locking bush	507539					
	4301-3870	1	locking bush Sainsburry UK	506637					
26	2101-3262	2	M6 x 8 DIN916, RVS A2	507539					
27	3833-5002	2	socket	503129					

**dated:**  
**June 2010**

**Verbas BV - DEKO Holland bv.**

**exploded view nr:**  
**4901-4002-02**

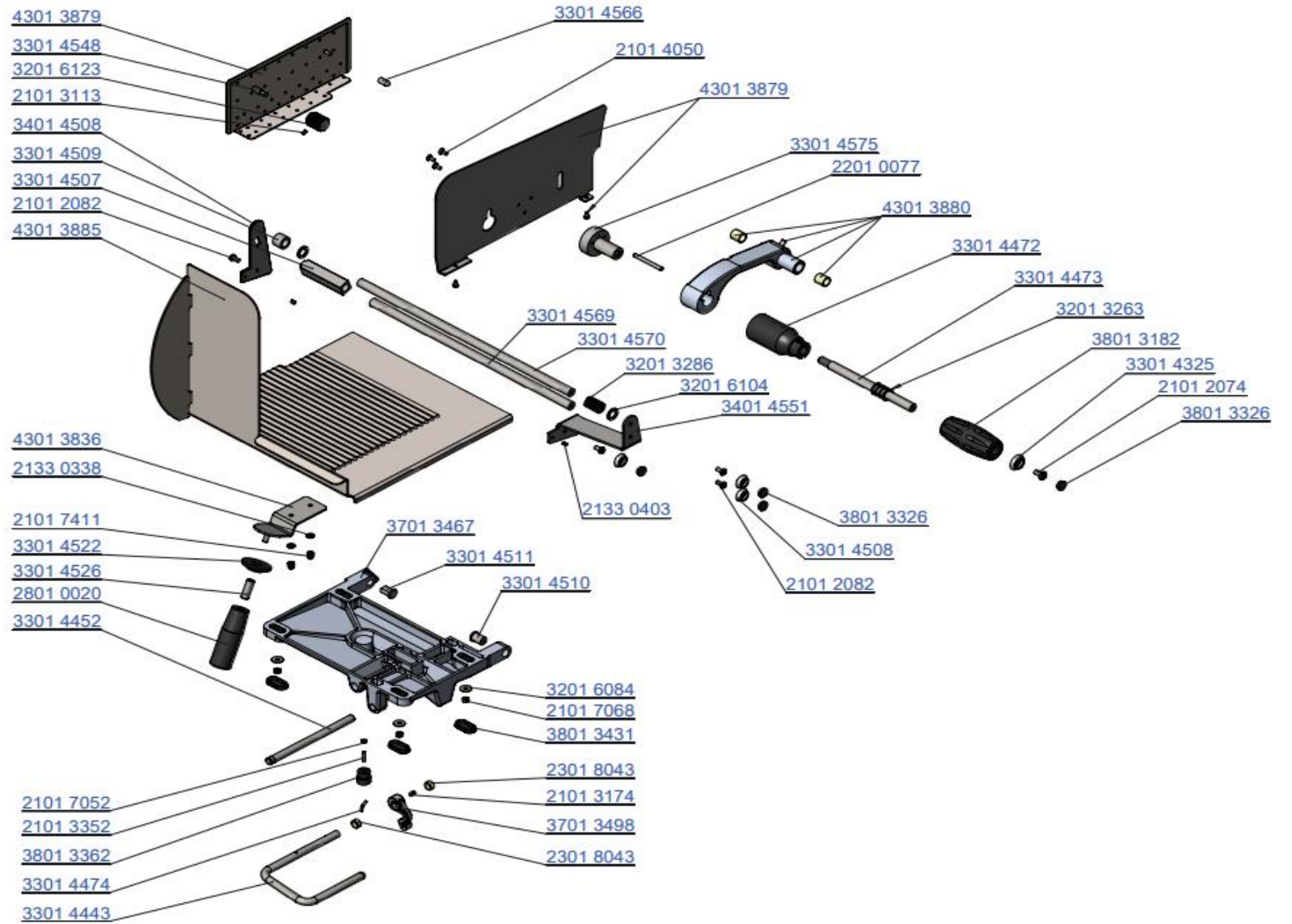
**execution:**  
**800S**

**assembly name:**  
**Index**

**C**



5000 4003

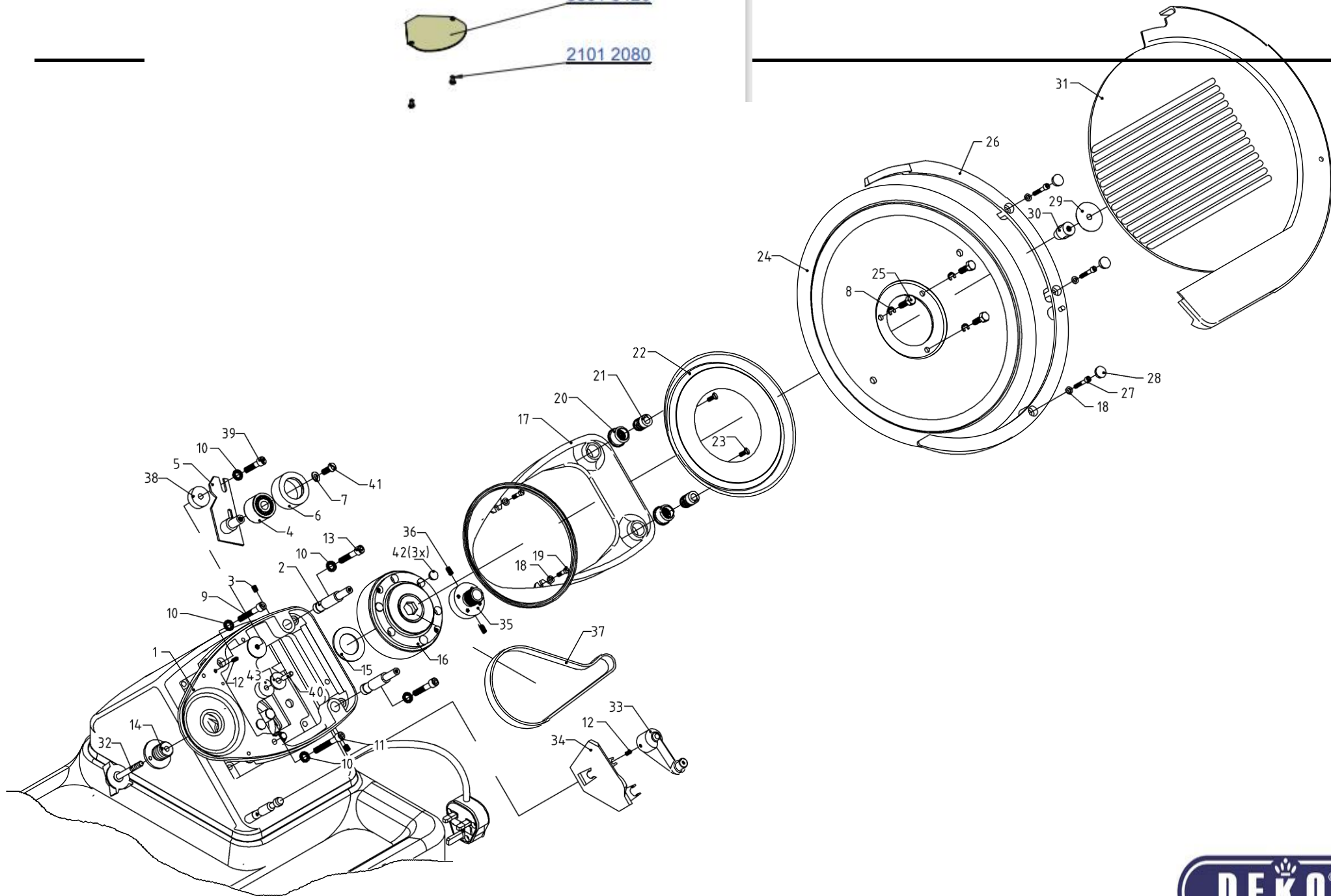


MEAT TABLE



3801 3426

2101 2080



KNIFE BOX  
4901-4004-08

<b>Id.</b>	<b>Part nr.</b>	<b>Qty.</b>	<b>Description</b>	<b>from serialno</b>	<b>Id.</b>	<b>Part nr.</b>	<b>Qty.</b>	<b>Description</b>	<b>from serialno</b>
1	3733-5016	1	Carter	503129	31	4333-5056	1	Centre plate	503129
2	3333-5021	2	Support knife guard	503129	32	4533-5024	1	Centre plate knob	503129
3	2101-3262	2	M6 x 8 DIN916 RVS	503129	33	4301-3766	1	Knife guard support	503129
4	2301-7053	1	Bearing	503129	34	3833-5053	1	Deflector	503129
5	4301-3796	1	Tension plate	503129	35	3301-4439	1	Motor pulley	503129
6	3301-4477	1	Ring	503129	36	2101-3262	2	M6 x 8 DIN916	503129
7	3201-6083	1	Ring 6,4x14x1,2 RVS	509303	37	2301-5221	1	Poly-V belt	503129
8	2201-4841	3	4 DIN6799 RVS	503129	38	3301-4481	1	Spacer	503129
9	2101-3055	1	M6 x 30 DIN912 RVS	503129	39	2101-3159	1	M6 x 20 DIN912 RVS	503129
10	2101-9118	5	S6 DIN6907	503129	40	2201-0076	1	5m6 x 20 DIN6325	503129
11	2101-3172	1	M6 x 45 DIN912 RVS	503129	41	2101-2085	1	M6 x 10 DIN85 RVS	503129
12	2101-3113	2	M4 x 6 DIN916 RVS	503129	42	3833-5054	3	Closing cap holes knife shaft	508633
13	2101-3117	2	M6 x 25 DIN912 RVS	503129	43	3201-6270	1	Rubber ring 18x6x2	508760
14	3333-5122	1	Special bolt	503129					
15	3433-5028	1	Washer	503129	4501-3057	1	Tensioning roller complete	503129	
16	4501-3055	1	Knife shaft incl pos. 42	508633			pos. 4 + 6		
17	3833-5041	1	Carter cover	503129					
18	2101-8008	5	4.3 DIN125	503129					
19	2101-2077	2	M4 x 10 DIN85 RVS	503129					
20	3833-5020	2	Special nut	503129					
21	3833-5019	2	Threaded bush	503129					
22	3833-5004	1	Labyrinth	503129					
23	2101-4035	2	M4 x 8 DIN963 RVS	503129					
24	3633-5024	1	Knife Ø 318	503129					
	3633-5023	1	Knife stainless steel (USA)	507691					
25	3333-5233	3	Knife fixing screw	503129					
26	4301-3762	1	Knife guard	503129					
27	2101-3096	3	M4 x 16 DIN912	503129					
28	2201-9065	3	Closing cap	503129					
29	3433-5075	3	Round shim	503129					
30	3333-5116	1	Centre nut	503129					

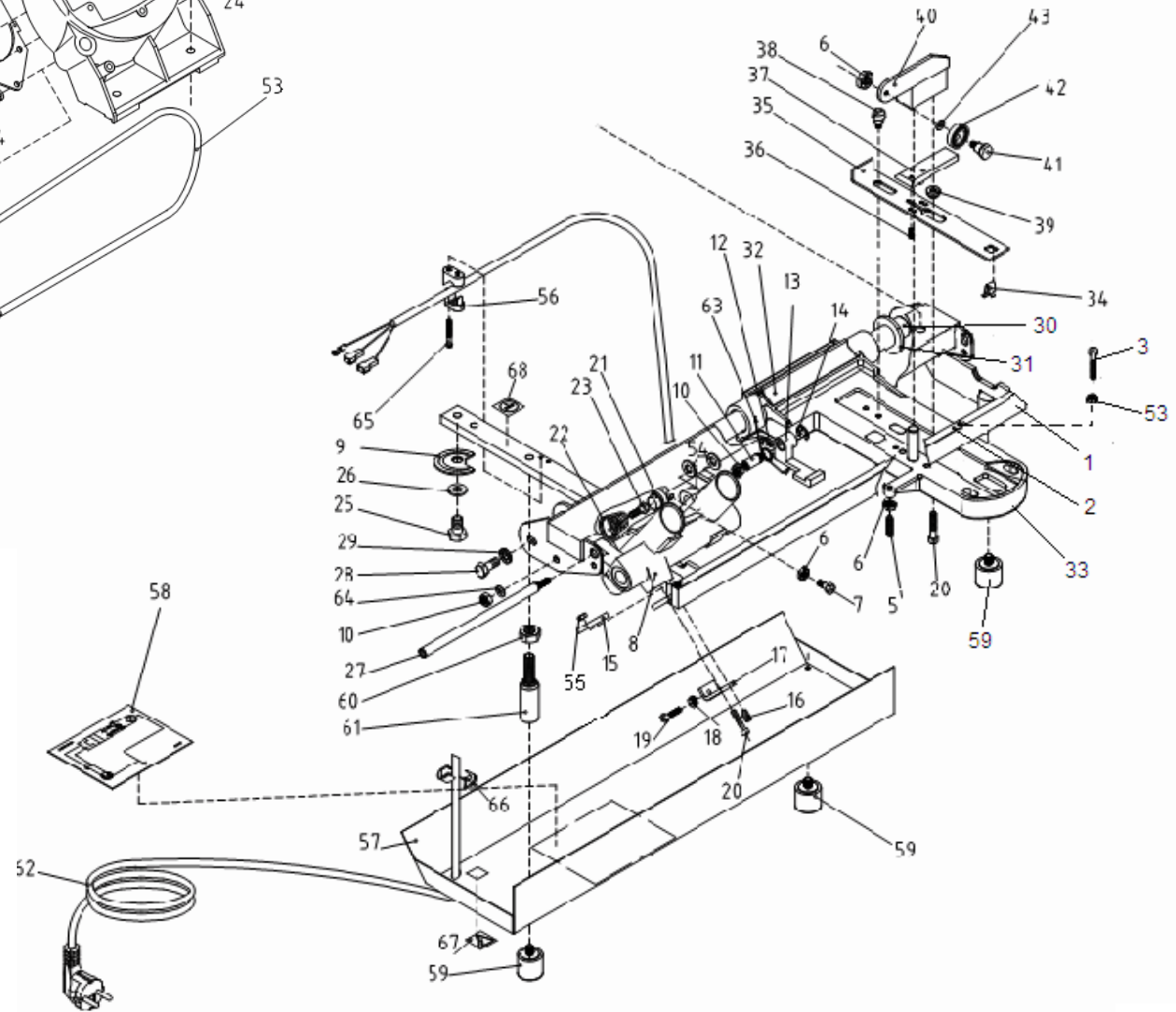
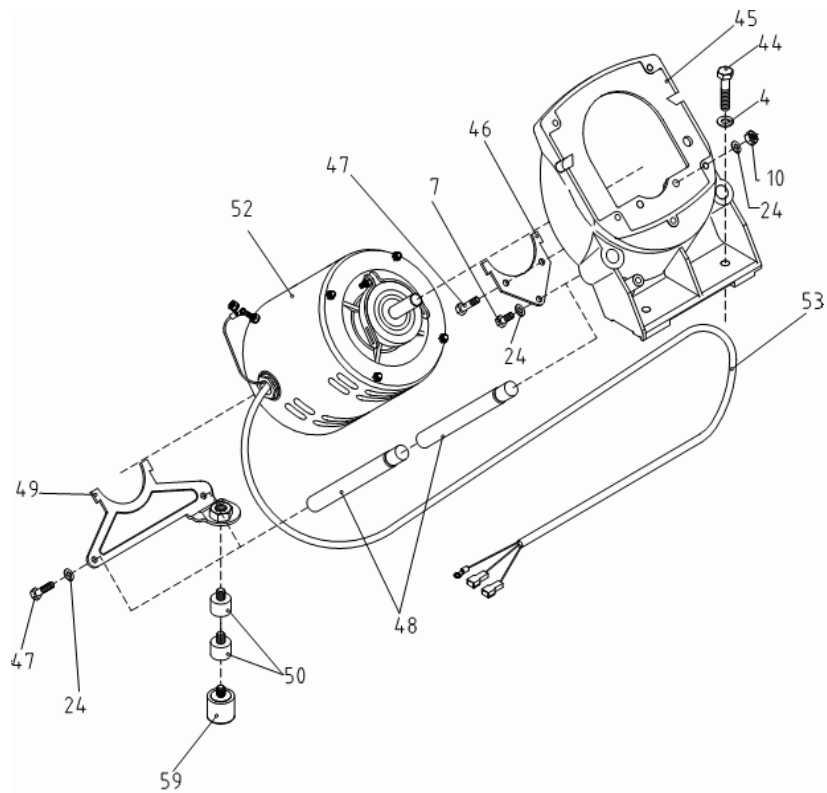
**dated:**  
**June 2010**

**exploded view nr:**  
**4901-4004-08**

**execution:**  
**800S**

**assembly name:**  
**Knife box**

**E**



FRAME  
4901-4005-07



Id.	Part nr.	Qty.	Description	from serialno:	Id.	Part nr.	Qty	Description	from serialno:
1	4533-5001	1	frame	(507664)	33	4333-5046	1	mounted support	503129
2	3433-5021	1	strip	503129	34	3201-3357	1	spring	503129
3	2101-2080	2	M4X8 DIN85 RVS	503129	35	3401-4347	1	slider	503129
4	2101-8514	2	B8 DIN127	503129	36	2101-2077	1	M4x8 DIN963 RVS A2	503129
5	2101-3146	1	M6x20 DIN915 45H A3A	503129	37	3401-4348	1	blocking strip	503129
6	2101-7043	3	M6 DIN439 4 E3E	503129	38	3301-4385	1	screw	503129
7	2101-1019	2	M6x12 DIN933 8.8 A3A	503129	39	3301-4461	1	bush	503129
8	4533-5006	1	console	503129	40	3733-5112	1	support for ball bearing	503129
9	3433-5034	1	clamp ring	503129	41	3301-4425	1	screw	503129
10	2101-7048	5	M6 DIN934 RVS A2	503129	42	2301-7019	1	ball bearing	503129
11	3301-4454	1	knuckle	503129	43	3201-6083	1	ring 6,4x14x1,2 RVS	503129
12	2101-1010	1	M4x8 DIN933 8.8 A3A	503129	44	2133-0245	2	M8x35 DIN933 8.8 G	503129
13	4301-3771	1	lever	503129	45	3733-5005	1	knife box bracket	503129
14	2201-4837	1	9 DIN6799 A3A	503129	46	3433-5008	1	plate of motor support	503129
15	3533-5009	1	support	503129	47	2101-1085	4	M6x20 DIN933 RVS A2	503129
16	2133-0252	1	screw M8x16 DIN913 45H	503129	48	3333-5006	2	motor support	503129
17	3533-5021	1	adjustable plate	503129	49	4501-3054	1	motor support plate	507664
18	2101-7068	1	M5 DIN934	503129	50	3333-5215	2	extension piece	507664
19	2133-0320	1	M5x20 DIN933 RVS	503129	51	2101-7009	1	M8 DIN934 5 A3A	503129
20	2101-3055	2	M6x30 DIN912 8.8 A3A	503129	52	2501-1020	1	motor 220/240V 50Hz IP23 + cable	504702
21	3801-3139	2	stopper	503129		2501-1021	1	motor 380/400V 3phase IP23	----
22	3333-5111	2	buffer spring	503129	53	2101-8054	2	Washer	
23	2101-1022	2	M6x16 DIN933 8.8 A3A	503129	54	2101-9209	2	6.4 DIN6799 ST A3A	503129
24	2101-8515	5	B6 DIN127	503129					
25	2133-0244	1	M10x16 DIN933 8.8 G	503129	55	2101-7048	1	M6 DIN934	506040
26	2101-8053	1	A10,5 DIN125 ST E3E	503129	56	2201-9050	1	strain relief	503129
27	3333-5011	1	shaft	503129	57	3433-5111A	1	cover	506040
28	2101-1074	2	M8x16 DIN933 8.8 A3A	503129	58	3101-4012	1	sticker electrical diagram 230V english	503129
29	2101-9119	2	A8.4 DIN6798 PHR	503129	59	4533-0004	4	rubber foot	503129
30	3333-5100	1	round guide	503129					
31	3801-3149	2	bumper	507761					
32	3401-3778	1	lubrication sleeve	503129					

<b>dated:</b>	<b>exploded view nr:</b> 4901-4005-07	<b>execution:</b> 800S	<b>assembly name:</b> Frame	<b>F</b>
<b>DEKO Holland bv.</b>				

<b>Id.</b>	<b>Part nr.</b>	<b>Qty.</b>	<b>Description</b>	<b>from serialno:</b>	<b>Id.</b>	<b>Part nr.</b>	<b>Qty</b>	<b>Description</b>	<b>from serialno:</b>
60	2101-7044	1	M10 DIN934 8 E3E	503129	63	3201-3356	1	spring	503129
61	3333-5001	1	adjustable foot	503129	64	2101-8515	2	6,4 DIN6796 ST A3A	503129
62	4101-3889	1	mains lead 230V	503129	65	2101-2089	1	M4x30 DIN84 4.8 E3E	503129
	4101-3892	1	mains Switzerland 230V	--	66	2201-0001	1	strain relief	506040
	4133-5010	1	mains lead England 230V	502878	67	3101-4010	1	warning sticker	503129
	4101-3891	1	mains lead 380V	504051	68	3101-3404	1	earth terminal sticker	507691

**dated:**  
June 2010

**exploded view nr:**  
4901-4005-07

**execution:**  
800S

**assembly name:**  
Frame

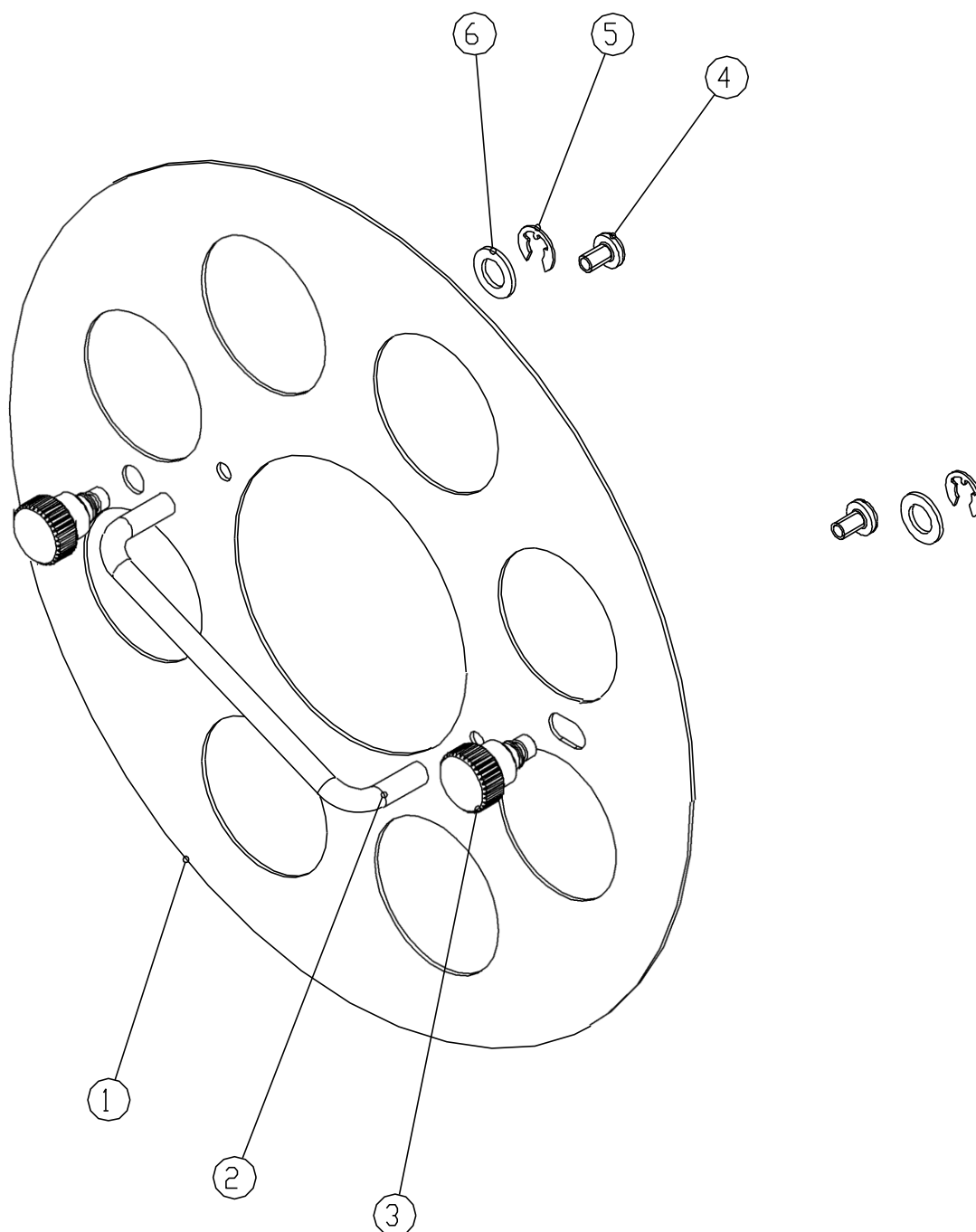
**F**

DEKO Holland bv.

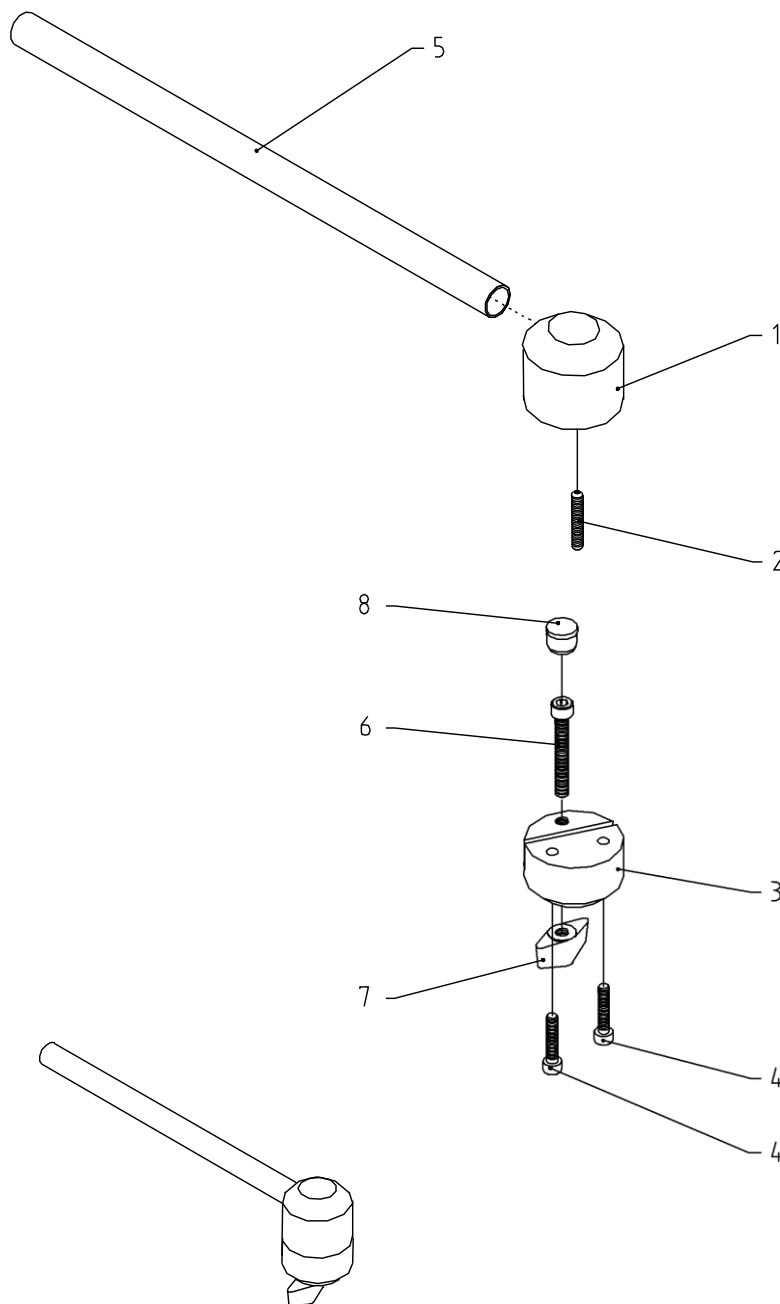


Exploded view: Knife remover (option)

Concern code rev: 4601 - 0160 - 01



Pos.	Part no.	Qty.	Description	As of serial no.
1	3401-4592	1	Plate kniferemover	510393
2	3301-4604	1	Handle kniferemover	510393
3	3301-4605	2	Screw knob	510393
4	2101-2085	2	Screw M6x10 DIN85 – INOX A2	510393
5	2201-4882	2	Seeger 8 DIN6799 – INOX A2	510393
6	2101-8104	2	Washer 10.5 DIN433 – INOX A2	510393

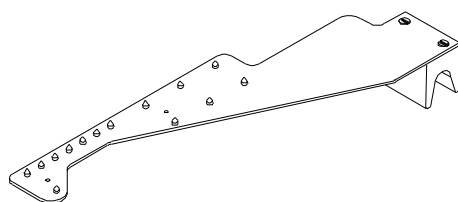
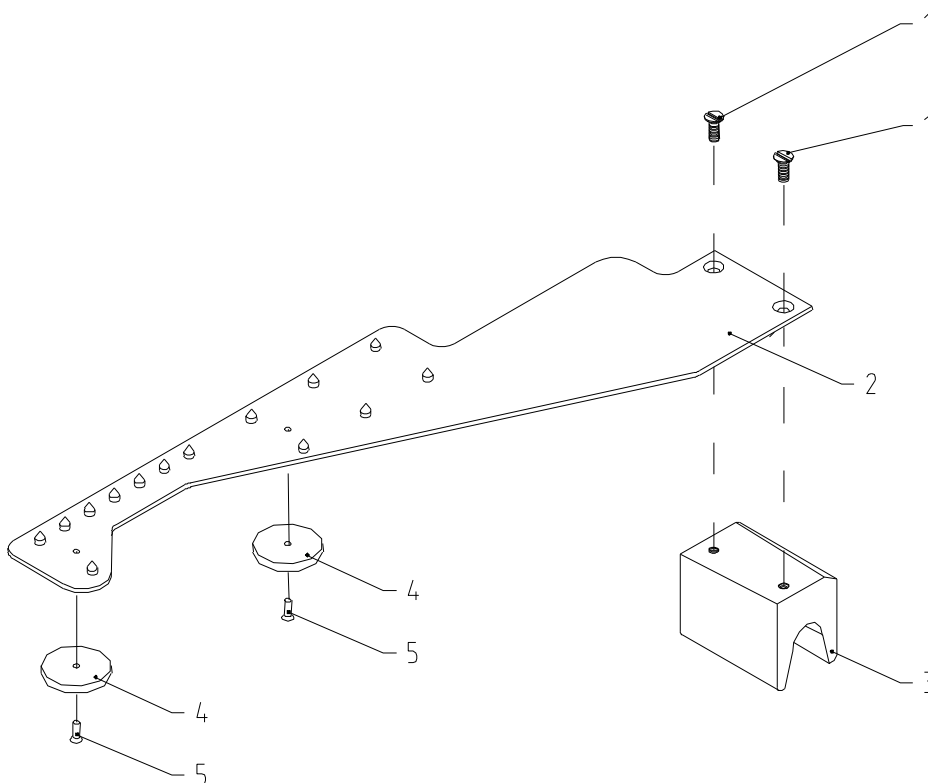


Pos.	Part no.	Qty.	Description	As of serial no.
1	3301-4530	1	Blok for product guide	504751
2	2101-2156	1	Screw M5x30 DIN916 – INOX A2	504751
3	3301-4529	1	Clamp for product guide	504751
4	2101-3167	2	Screw M5x40 DIN912 – A3A	504751
5	3301-4531	1	Guide rod for product guide	504751
6	2101-3256	1	Screw M6x40 DIN912 – INOX A2, full thread	504751
7	2801-0029	1	Knob Elessa M6 standard	504751
8	2201-9061	1	Closing hood	504751



**Exploded view: Salami attachment (option)**

**Concern code rev: 4601 - 3846 - 01**



Pos.	Part no.	Qty.	Description	As of serial no.
1	2101-4058	2	Screw M3x8 DIN963 – INOX A2	504751
2	4301-3838	1	Pinplate + pins 800S Salami	504751
3	3501-3782	1	Sliding block pinplate 800S Salami	504751
4	3801-3377	2	Sliding disc	504751
5	2201-1051	2	Rivet 2x6 DIN661 – INOX A2	504751

